

## Tilt System



REAC Tilt base is a very compact and powerful tilt device, which can be customized to fit your application. Clever engineering allows tilt up to 50° with 200 kg load, still maintaining an 76 mm overall build-in height. It has ideal specifications for electrical wheelchairs as well as other suitable applications.

The standard configuration includes easy adaptable top- and bottom frames. The motion is powered by a Reac actuator which can be controlled by any Reac control device as well as the market standard controllers. Tilt movement includes standard built-in actuator limit switch and optional inhibit switch for end limit detection and optional analogue positioning feedback.

We offer to customize the device to match your needs, please contact our sales department in case of any questions

<b>Standard features</b>	<b>Standard</b>	<b>Strong</b>
Load capacity	200kg	250kg
Min install height	76mm	91mm
Tilting angel	0° - 50°	0° - 50°
Weight	13kg	15kg
Feedback & switches	Limit switch in actuator	Limit switch in actuator
Motor	24VDC	24VDC
Actuator	RE5001	RE5003

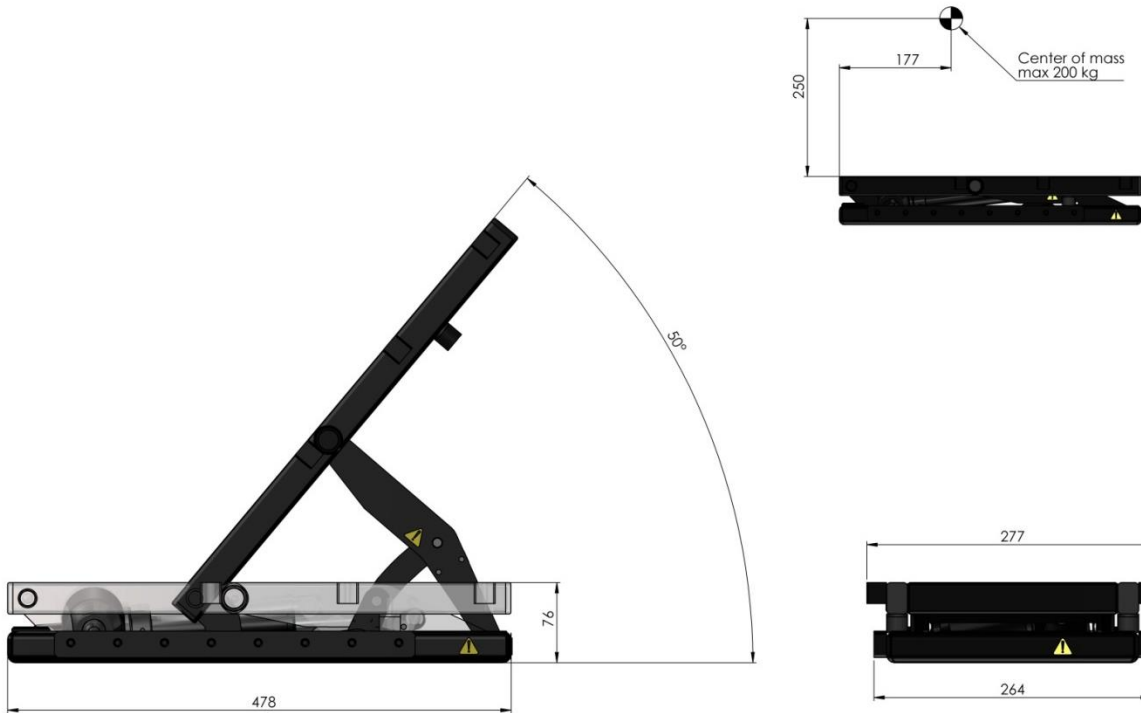
<b>Options</b>		
Top and bottom frame	Customized	Customized
Feedback and switches	Inhibit switch, min and max linear position External limit switches Linear potentiometer	Inhibit switch, min and max linear position External limit switches Linear potentiometer
Motor	12VDC	12VDC



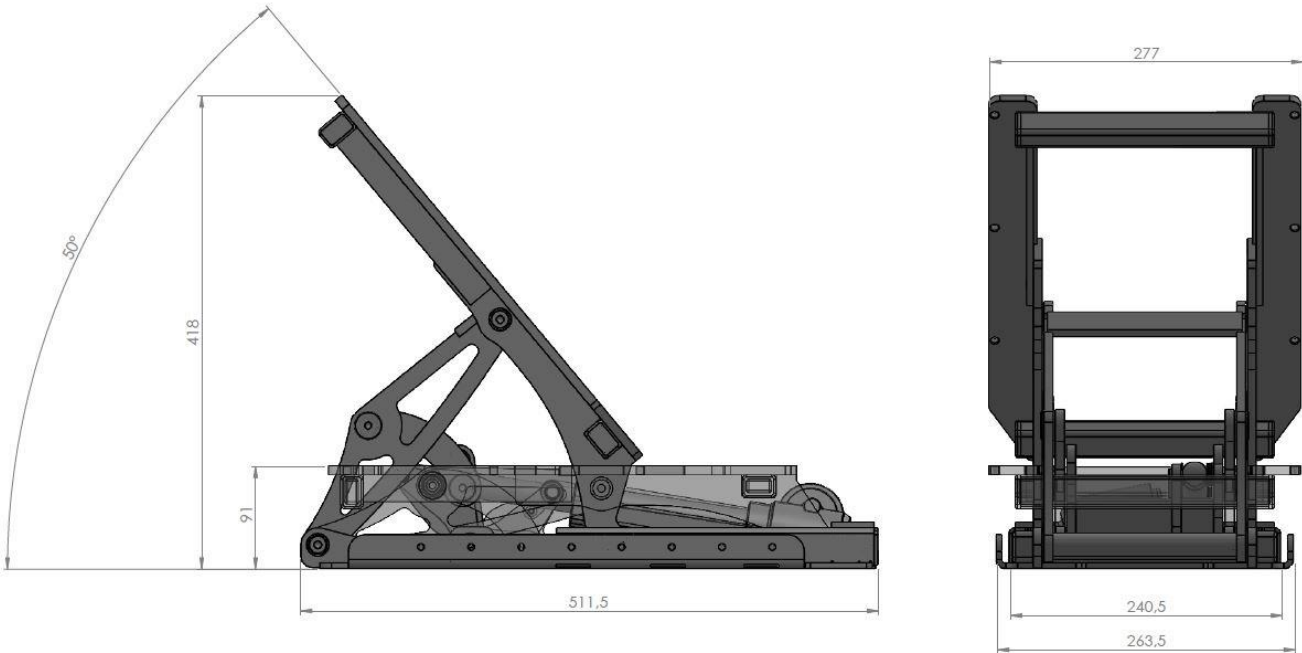
Tilt System

Dimensions

Standard Tilt System



Strong Tilt System



© REAC, June 2017, Issue 3.0

REAC is continuously developing our products and can make changes without prior notice. Therefore we can't guarantee that the information stated on our webpage or in our written material always is up to date, nor can we take responsibility for any misinterpretation of our written context. Technical specification might change due to load and external circumstances. REAC products shall be tested in its intended application before use.

REAC AB  
Forsbrogatan 4  
662 34 Åmål, Sweden

REAC Poland Sp. z o.o  
Ul. Sulejowska 45  
97-300 Piotrków Trybunalski, Poland

[www.reac.se](http://www.reac.se)  
E-mail: [info@reac.se](mailto:info@reac.se)  
Phone: +46 532 78 50 00

