

Actuator RE5004



RE5004 is a quiet, very compact high-power actuator. It is well suited for all applications where the build in space is limited, such as seat-lifts, lift-chairs, wheelchair lifting devices etc. The actuator can be controlled by any REAC controller as well as all known third party controllers on the mark

Standard features

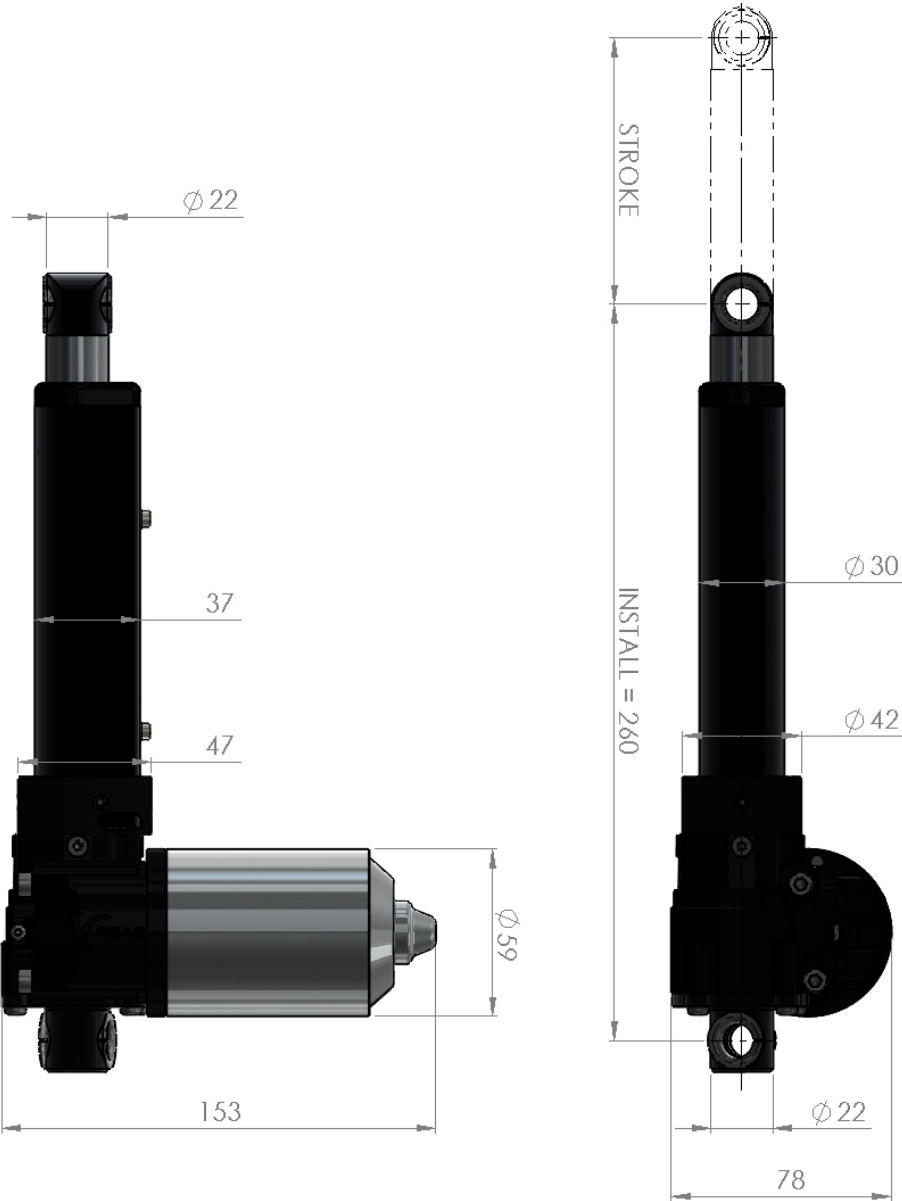
Max push force	6000N
Max pull force	4000N
Max speed (full load)	3,7 - 5 mm/s
Max speed (no load)	4,5 - 7 mm/s
Min built in length	144 mm + stroke
Stroke lengths (mm)	50, 100, 150, 200, 250
IP-class	IPX1
Current consumption (full load)	3,9 – 6 A
Current consumption (no load)	0,6 – 1,2 A
Feedback & switches	Mechanical limit switch
Motor	24VDC standard, fast Angle: fixed 90°
Mounting brackets	cyl 10,0/12,0mm, fork 10,1mm. Angle for rear bracket: 0° or 90°
Connection	Cable 0,5m 2x0,75mm ² (stripped ends)
Operating temperature	+5° to +40°C
Storage temperature	-40° to +70°C
Housing	Composite
Piston	Steel
Color	Black
Duty cycle	10%, max 2 min at continuous use followed by an 18 min rest

Options

Stroke lengths (mm)	Customizable
Protection class	-
Mounting brackets	Customizable
Connection & Cables	Customizable
Color	Customizable
Feedback & switches	Reed switch Hall sensor feedback, 1 or 2 channels Linear potentiometer
Motor	24VDC compact (outer diameter 59mm)

Actuator RE5004

Dimensions

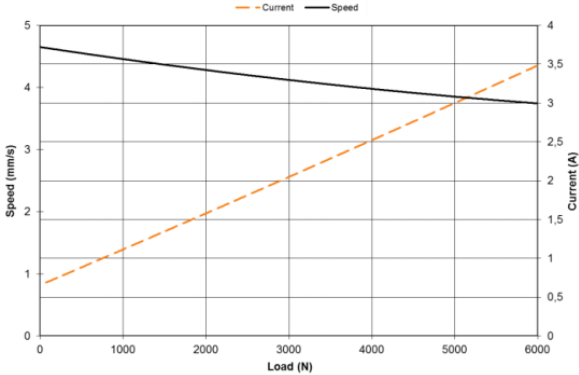


Performance

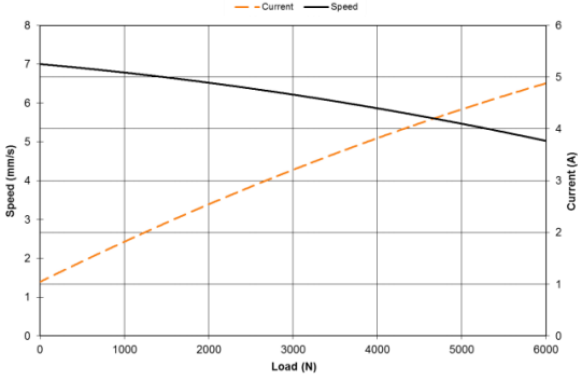
Chart showing speed and current for RE5004

Pitch [mm]	Max push force [N]	Max pull force [N]	Max self-locking push [N]	Speed at no/max force [mm/s]	Current consumption at no/max force [A]	DC motor [type]
3	6000	4000	6000	4,5 / 3,7	0,6 / 3,9	Standard
3	6000	4000	6000	7,0 / 5,0	1,2 / 6,0	Fast

RE5004 Tr12x3 standard motor



RE5004 Tr12x3 fast motor



Charts show average figures for 24V actuator using stabilized power supply. Figures all with ambient temperature of 20°C. Accuracy: ±5

© REAC, January 2018, Issue 1.0

REAC is continuously developing our products and can make changes without prior notice. Therefore we can't guarantee that the information stated on our webpage or in our written material always is up to date, nor can we take responsibility for any misinterpretation of our written context. Technical specification might change due to load and external circumstances. REAC products shall be tested in its intended application before use.

REAC AB
Forsbrogatan 4
662 34 Åmål, Sweden

REAC Poland Sp. z o.o
Ul. Sulejowska 45
97-300 Piotrków Trybunalski, Poland

www.reac.se
E-mail: info@reac.se
Phone: +46 532 78 50 00