

## Actuator **RE406**

Strong - Fast - Compact - Silent



RE406 is a unique high efficiency and compact state-of-the-art actuator with a design suitable for many different applications.

The high efficiency powertrain allows for managing of engineering solutions with high demand for very compact build in measures, short levers, high speed travel, low current consumption together with push force up to 6000N.

**Standard features**

Max push force	6000 N
Mac pull force	4000 N
Rated voltage	24 VDC
Self-locking	Yes
Safety factor	≥ 2.5
Speed at max force	5.1 mm/s
Speed at no load	7.7 mm/s
Current consumption (full load)	5.2 A
Current consumption (no load)	1.1 A
Min built-in length	130 mm + stroke (tolerance ± 2 mm)
Stroke length	Customizable between 50 - 200 mm
Stroke limits	Build-in limit switches
Motor angle	360° step less position
IP-class	IPX4 (Moulded with PA)
Flammability rating	UL94V-0
Operating ambient temperature	- 25°C - +50°C
Storage ambient temperature	- 40°C - +65°C
Brackets	Stainless steel with plastic inserts. Hole dimensions acc to option table
Rear bracket angle	360° step less position
Piston & brackets	Stainless steel
Housing and outer tube	Aluminium
Drive nut	Low friction polymer
Duty cycle	10%, max 2 min at continuous use followed by 18 min rest
Noise	Less than 50 dB (A)
Colour	Black (RAL 9005)
Weight	~1.3 kg <sup>1</sup>
EMC conformity	EN 61000-6-2 EN 61000-6-3 EN 60601-1-2 ISO 7176-21
Expected service life	8 years <sup>2</sup>

---

<sup>1</sup> Typical @ BID 130+150mm stroke. Weight will vary dependent on combination of BID + stroke

<sup>2</sup> If service schedule is followed.

## Options

IP-class

IPX0 (Without cover)

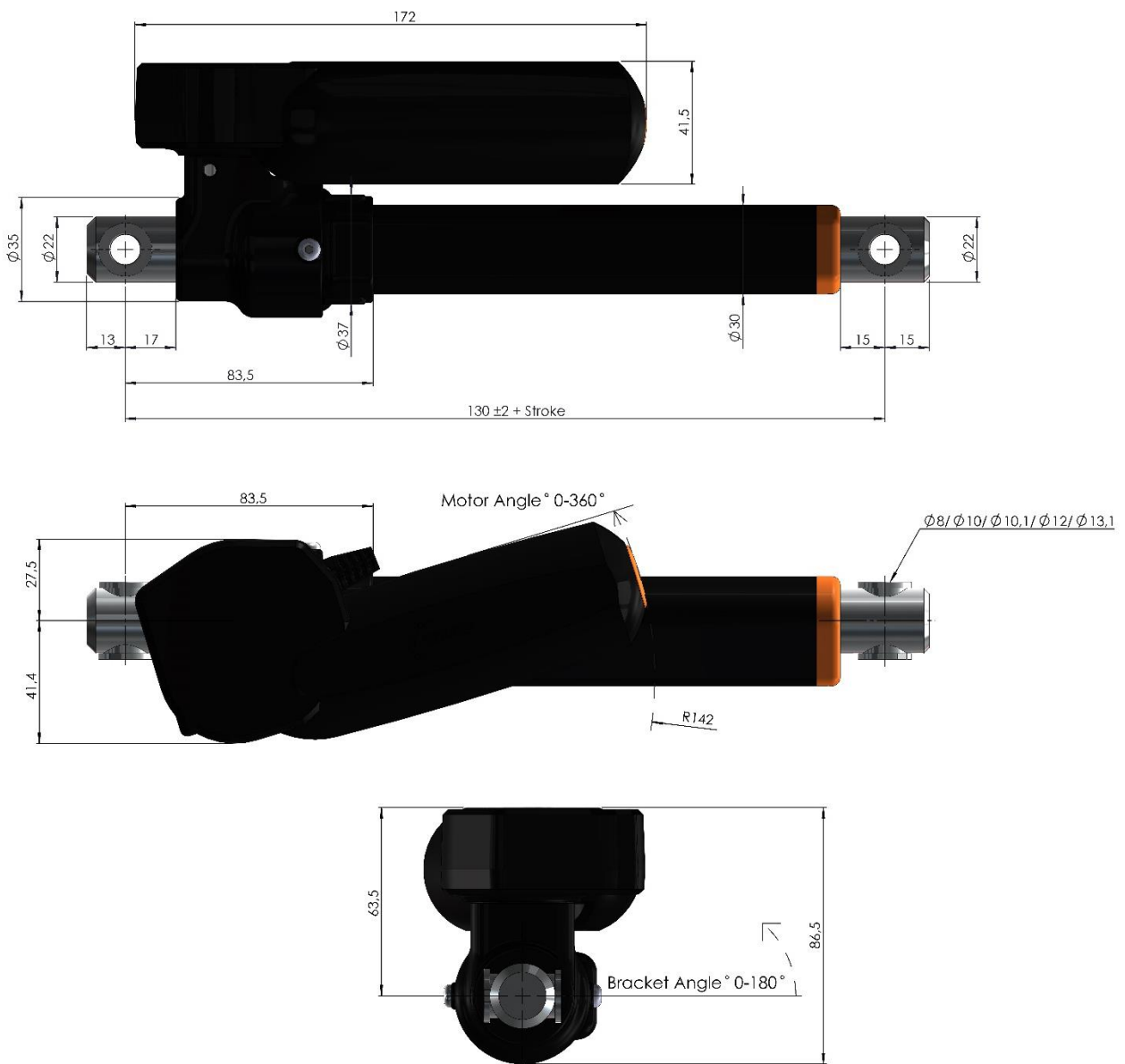
Mounting brackets

Inner hole diameters,  $\varnothing 8 / \varnothing 10 / \varnothing 10,1 / \varnothing 12 / \varnothing 13,1$   
(tolerance  $-0,0/+0,2\text{mm}$ )

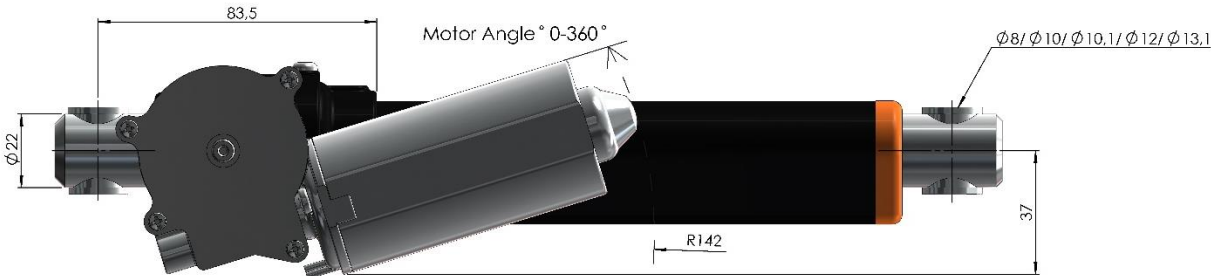
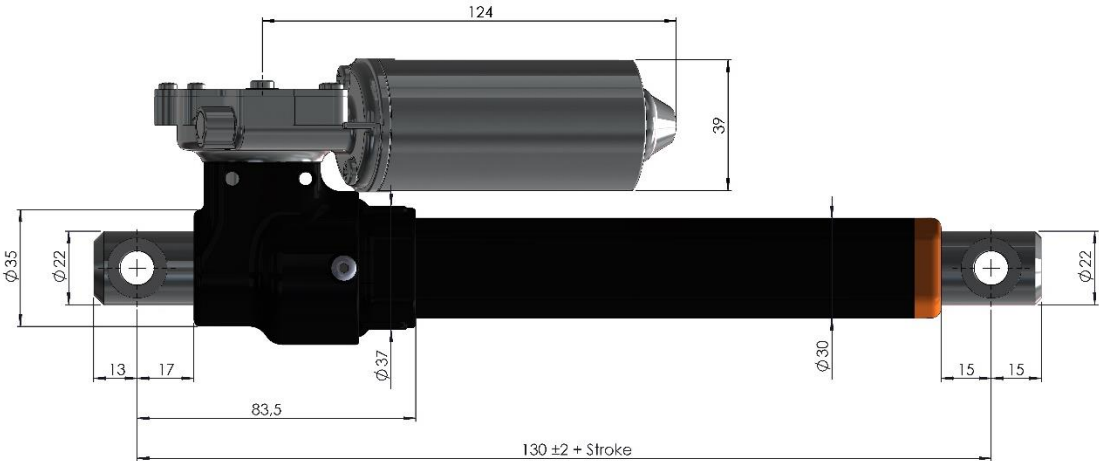
Cable connection & Cables

Customizable

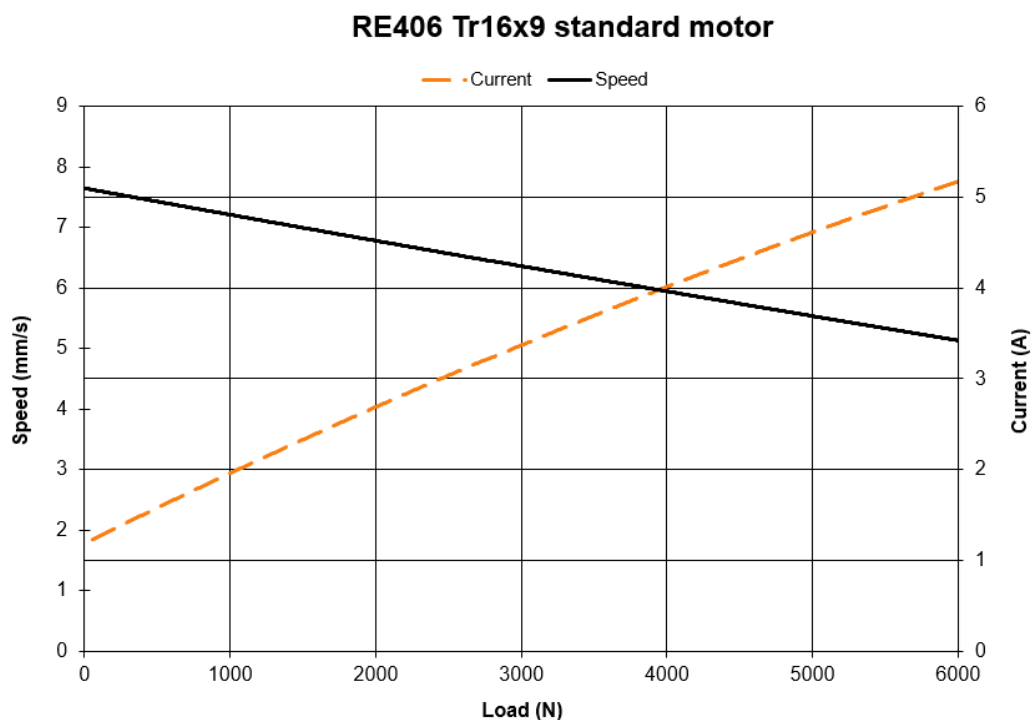
## Dimensions IPX4:



Dimensions IPX0:



## Performance



Charts 1. show average figures for 24V actuator using stabilized power supply. All figures with ambient temperature of 20°C. Accuracy:  $\pm 5$ .

© REAC, October 2018, Issue 5.0

REAC is continuously developing our products and can make changes without prior notice. Therefore we can't guarantee that the information stated on our webpage or in our written material always is up to date, nor can we take responsibility for any misinterpretation of our written context. Technical specification might change due to load and external circumstances. REAC products shall be tested in its intended application before use.

REAC AB  
Forsbrogatan 4  
662 34 Åmål, Sweden

REAC Poland Sp. z o.o  
Ul. Sulejowska 45  
97-300 Piotrków Trybunalski, Poland

[www.reac.se](http://www.reac.se)  
E-mail: [info@reac.se](mailto:info@reac.se)  
Phone: +46 532 78 50 00