

Actuator RE1000



RE1000 is a powerful inline actuator designed for rehabilitation applications, but can be used also in other applications demanding the smallest overall dimensions and linear design. The RE1000 is perfect for powered leg-rests.

Standard features

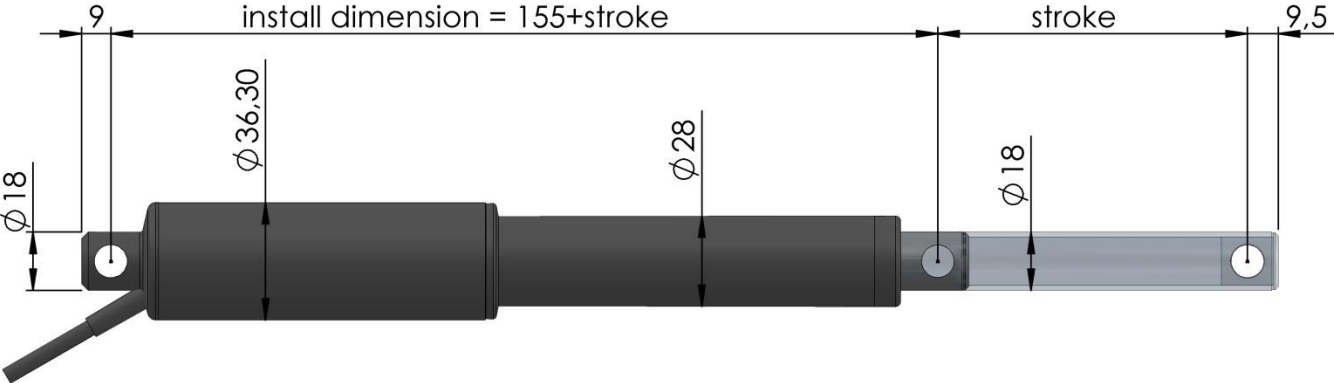
Max push force	600N - 2000N
Max pull force	600N - 2000N
Max speed (full load)	4.1 – 8.3 mm/s
Max speed (no load)	8 – 16,5 mm/s
Min built in length	155 -176mm + stroke (190 with strong motor and encoder)
Stroke lengths (mm)	50, 100, 150
IP-class	IPX4
Current consumption (full load)	1,0A – 1,5 A
Current consumption (no load)	0,1A – 0,2A
Feedback & switches	-
Motor	24VDC, standard, fast or strong
Mounting brackets	cyl 10/12mm, fork 10mm
Connection	Cable 0,5m 2x0,5mm ² (stripped ends)
Operating temperature	+5° to +40°C
Storage temperature	-40° to +70°C
Housing	Aluminum
Piston	Stainless steel
Color	Black
Duty cycle	10%, max 2 min at continuous use followed by an 18 min rest

Options

Stroke lengths (mm)	Customizable
Protection class	IPX5
Mounting brackets	Customizable
Connection & Cables	Customizable
Color	Customizable
Feedback & switches	Hall sensor feedback, 1 or 2 channels Reed switch

Actuator RE1000

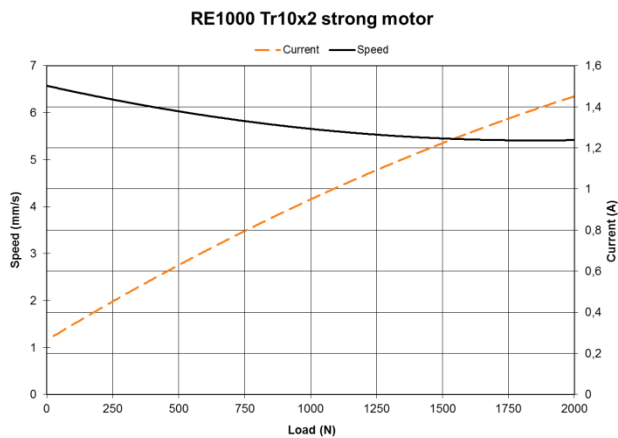
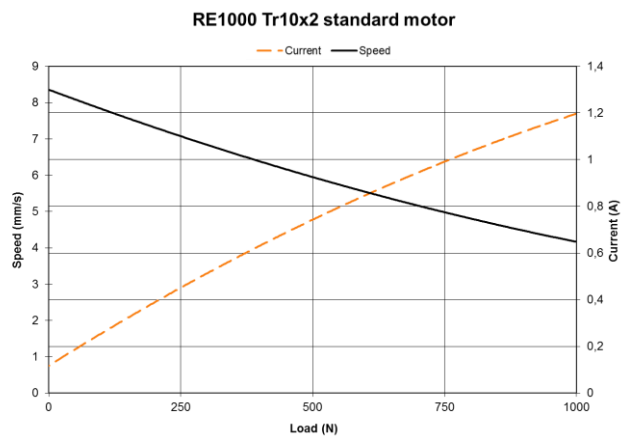
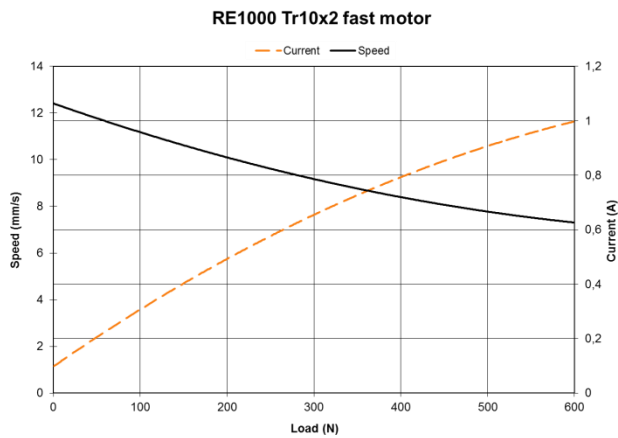
Dimensions



Performance, pitch 2mm

Chart showing speed and current for RE1000 with 2 mm pitch

Pitch [mm]	Max push force [N]	Max pull force [N]	Max self-locking push [N]	Speed at no/max force [mm/s]	Current consumption at no/max force [A]	DC motor [type]
2	600	600	600	12,5 / 7,0	0,1 / 1,0	Fast
2	1000	1000	1000	8 / 4,1	0,1 / 1,2	Standard
2	2000	2000	2000	6,5 / 5,4	0,2 / 1,5	Strong



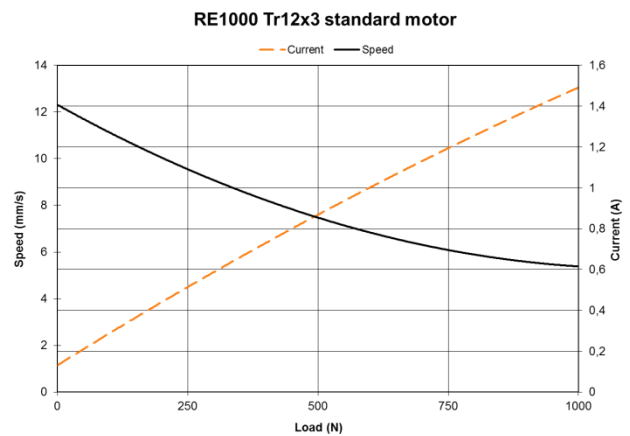
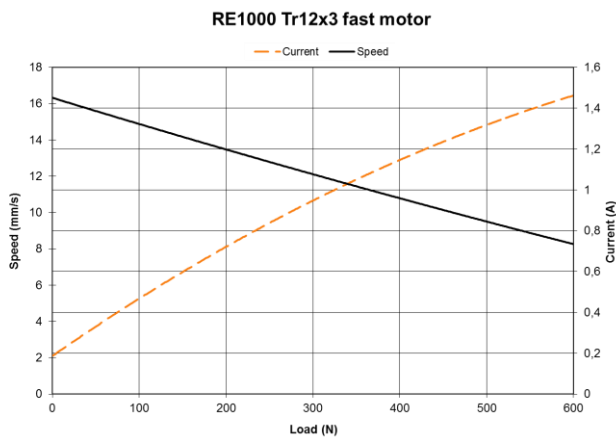
Charts show average figures for 24V actuator using stabilized power supply. All figures with ambient temperature of 20°C. Accuracy: ±5

Actuator RE1000

Performance, pitch 3mm

Chart showing speed and current for RE1000 with 3 mm pitch

Pitch [mm]	Max push force [N]	Max pull force [N]	Max self-locking push [N]	Speed at no/max force [mm/s]	Current consumption at no/max force [A]	DC motor [type]
3	600	600	600	16,5 / 8,3	0,1 / 1,5	Fast
3	1000	1000	1000	12,5 / 5,2	0,1 / 1,5	Standard



Charts show average figures for 24V actuator using stabilized power supply. All figures with ambient temperature of 20°C. Accuracy: ± 5

© REAC, January 2021, Issue 2.0

REAC is continuously developing our products and can make changes without prior notice. Therefore we can't guarantee that the information stated on our webpage or in our written material always is up to date, nor can we take responsibility for any misinterpretation of our written context. Technical specification might change due to load and external circumstances. REAC products shall be tested in its intended application before use.

REAC AB
Forsbrogatan 4
662 34 Åmål, Sweden

REAC Poland Sp. z o.o
Ul. Sulejowska 45
97-300 Piotrków Trybunalski, Poland

www.reac.se
E-mail: info@reac.se
Phone: +46 532 78 50 00